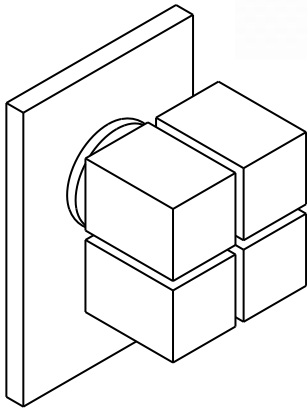


SHERLE WAGNER



Product Features

- Available in all Sherle Wagner finishes
- Solid brass/bronze construction
- Requires 7.3mm spindle
- Inquire for custom spindles
- Mounting hardware included
- Works with 2910C

QUAD DOOR KNOB | 2003DOR

