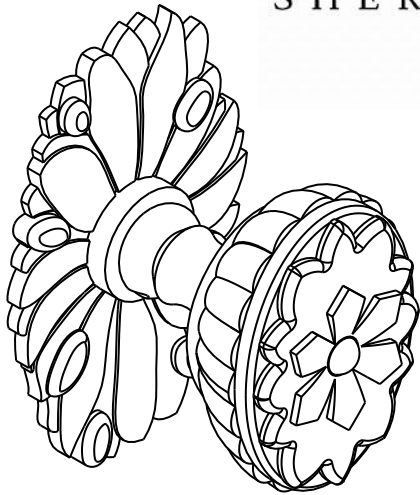


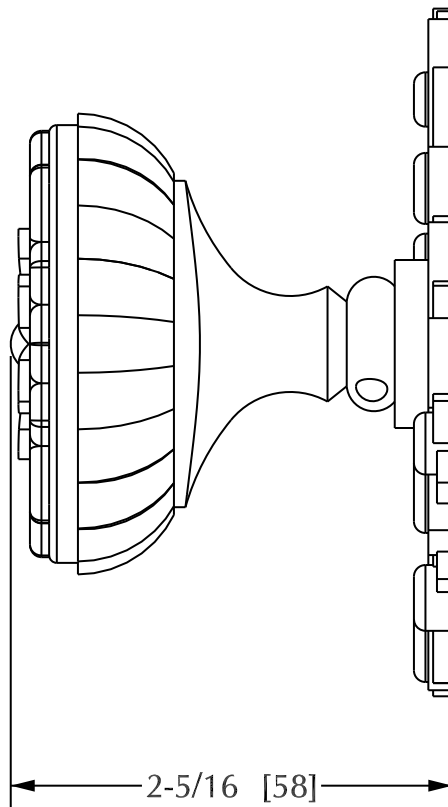
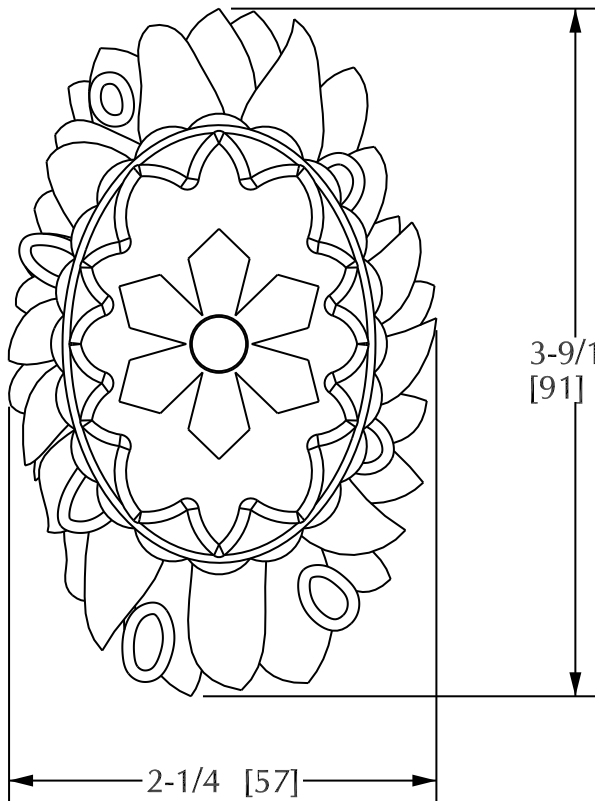
SHERLE WAGNER



### Product Features

- Available in all Sherle Wagner finishes
- Solid brass/bronze construction
- Requires 7.3mm spindle
- Inquire for custom spindles
- Mounting hardware included
- Works with 2910A

FORGET-ME-NOT DOOR KNOB | 1072DOR



Rev A