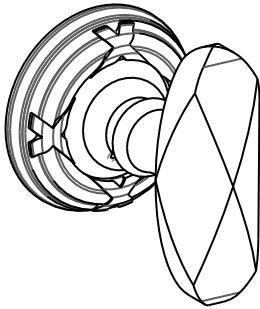


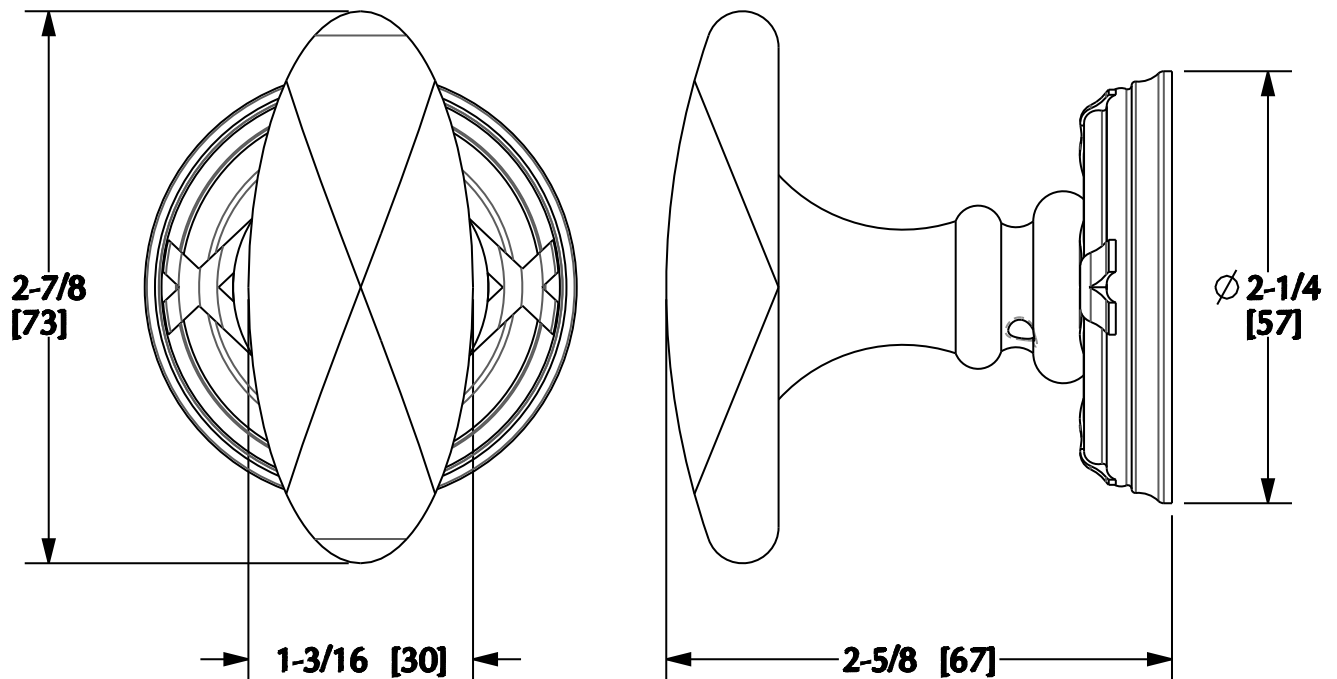
SHERLE WAGNER



Product Features

- Available in all Sherle Wagner finishes
- Solid brass/bronze construction
- 7.3mm spindle standard, not included
- Inquire for custom spindle applications
- Mounting hardware included
- Works with Dummy Stud 2910-C

RIBBON & REED DOOR KNOB | 0055DOR



Rev A